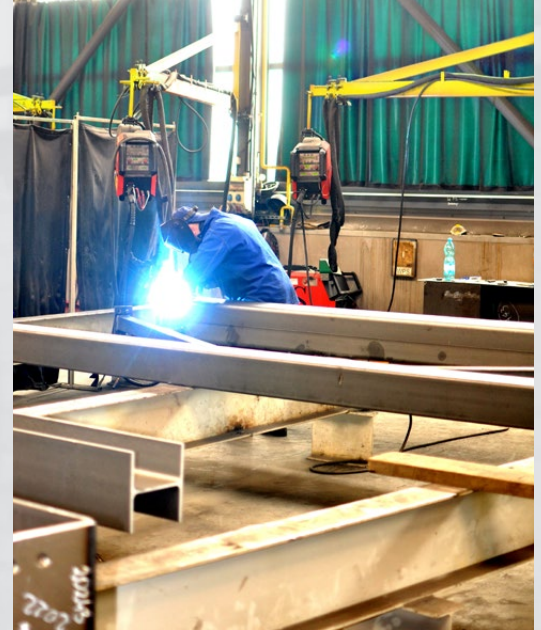


■ WIRE FEEDER BOOMS

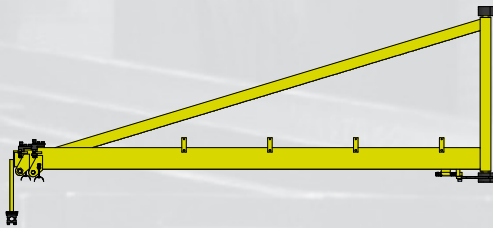
Highly useful devices that improve ergonomics and increase flexibility of welding stations.

■ Main features and benefits:

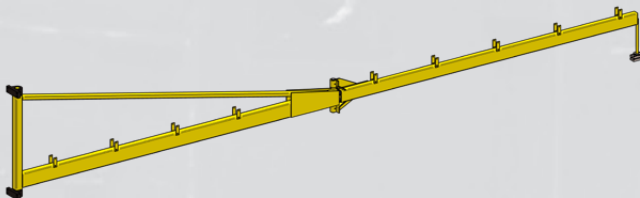
- extended workspace
- more freedom of movement over significantly larger area comparing to the traditional setup
- no wires on the floor
- no mess of tangled cables that in extreme cases can be outright dangerous
- more convenient welding of bigger and complex constructions
- simple and robust device
- can be easily mounted to the construction elements of the production halls with no need for any additional infrastructure
- permissible load: up to 50 kg



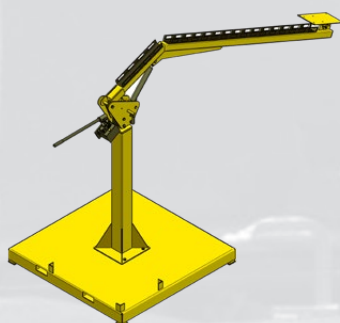
■ Three types to choose from:



- Wall mounted telescopic wire feeder boom



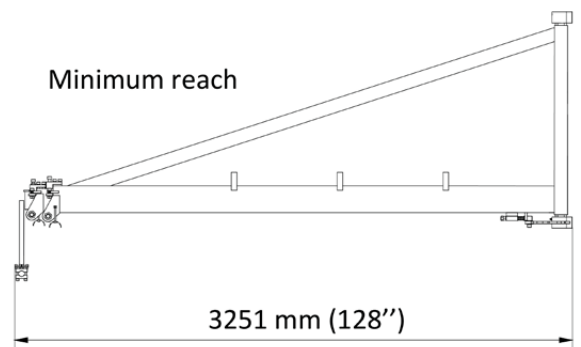
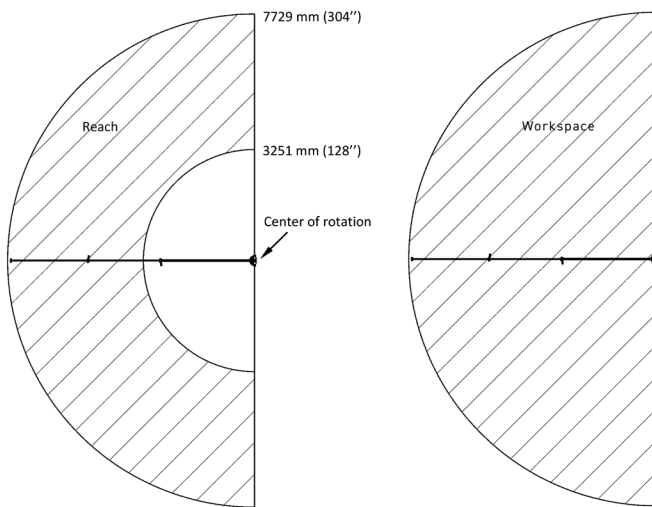
- Wall mounted pivot wire feeder boom



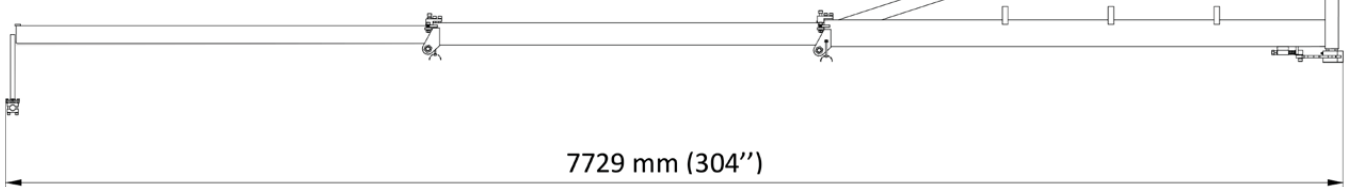
- Hydraulic wire feeder boom

Wall mounted telescopic wire feeder boom

- can rotate up to 180° around the vertical axis
- adjustable reach of the boom
from 3251 mm (128") to 7729 mm (304")
- product code: WSG-0429-10-00-00-0



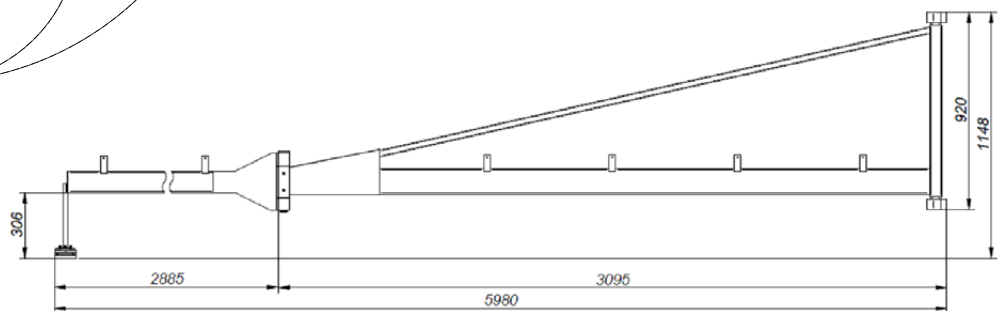
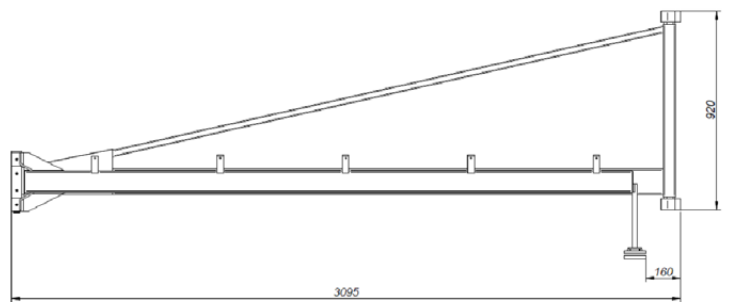
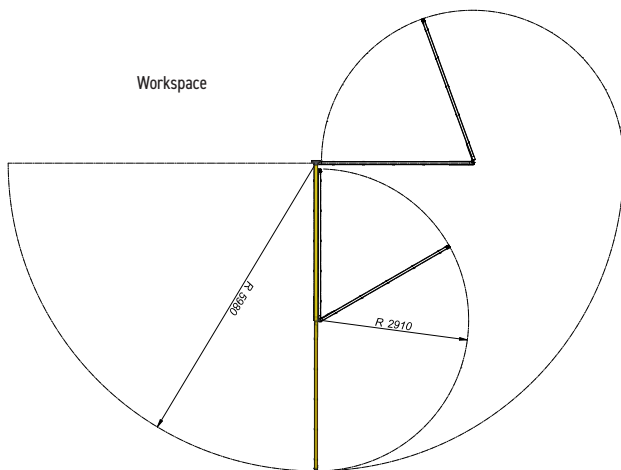
Maximum reach



WALL MOUNTED TELESCOPIC WIRE FEEDER BOOM Technical specifications	
Reach	3251 - 7729 mm (128-304")
Rotation angle	0-180°
Maximum load (wire feeder, wire)	50 kg (110 lbs)
Minimum dimensions	3251 mm × 1206 mm × 287 mm 128" × 47" × 11"
Maximum dimensions	7729 mm × 1206 mm × 287 mm 304" × 47" × 11"
Weight	98 kg (216 lbs)

■ Wall mounted pivot wire feeder boom

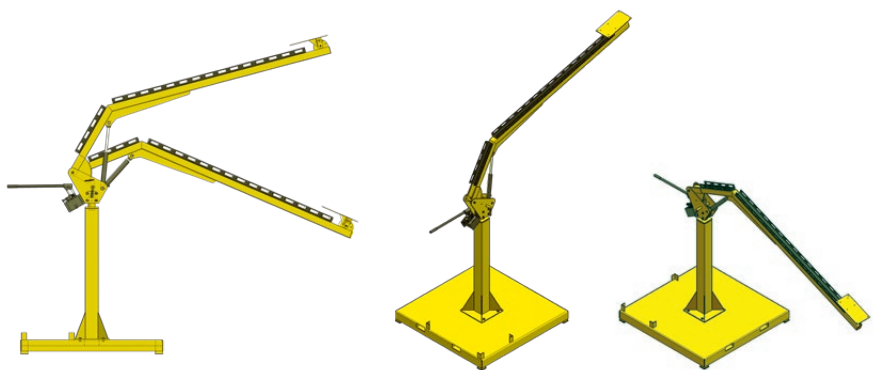
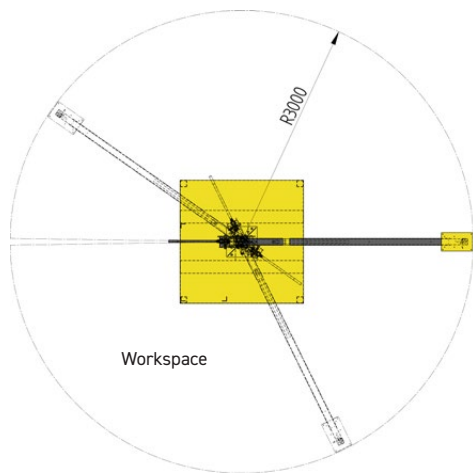
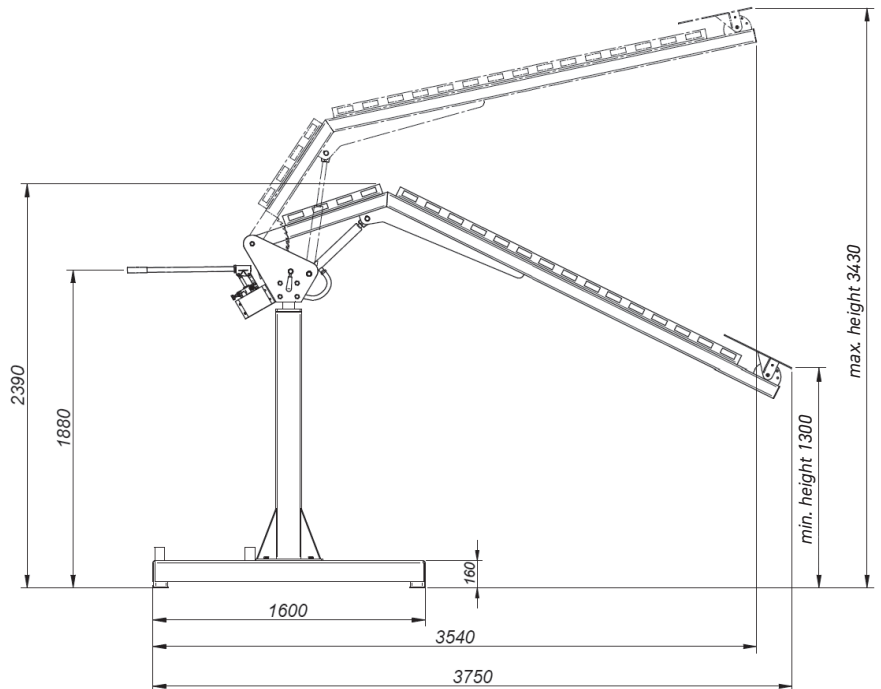
- can be rotated up to 180° around the vertical axis
- additionally the movable arm can be rotated up to 180° around the pivot
- adjustable reach of the boom from close proximity to vertical axis up to 6000 mm (236")
- product code: WSG-000002



WALL MOUNTED PIVOT WIRE FEEDER BOOM Technical specifications	
Reach	160 – 5980 mm (6 – 235")
Rotation angle	0-180°
Maximum load (wire feeder, wire)	50 kg (110 lbs)
Minimum dimensions	3095 mm × 1148 mm × 176 mm 121" × 45" × 7"
Maximum dimensions	5980 mm × 1148 mm × 176 mm 235" × 45" × 7"
Weight	100 kg (220 lbs)

Hydraulic wire feeder boom

- can be rotated up to 360° around the vertical axis
- adjustable height of the boom from 1300 mm (51") up to 3430 mm (135")
- product code: WSG-000003



HYDRAULIC WIRE FEEDER BOOM Technical specifications	
Reach	3000 mm (118")
Lifting height	1300 - 3430 mm (51 - 135")
Rotation angle	0-360°
Maximum load (wire feeder, wire)	50 kg (110 lbs)
Dimensions [L x W x H]	3750 mm x 1600 mm x 2390 mm (min) / 3430 mm (max) 148" x 63" x 94" (min) / 135" (max)
Weight	330 kg (733 lbs)

More information at www.promotech.eu



PROMOTECH Sp. z o.o.
ul. Elewatorska 23/1, 15-620 BIAŁYSTOK, POLAND
tel. (+48 85) 678 34 05, fax (+48 85) 662 78 77
marketing@promotech.eu www.promotech.eu

Your local dealer:

