

## PRO-36R | ELECTRIC MOTOR RAIL DRILL

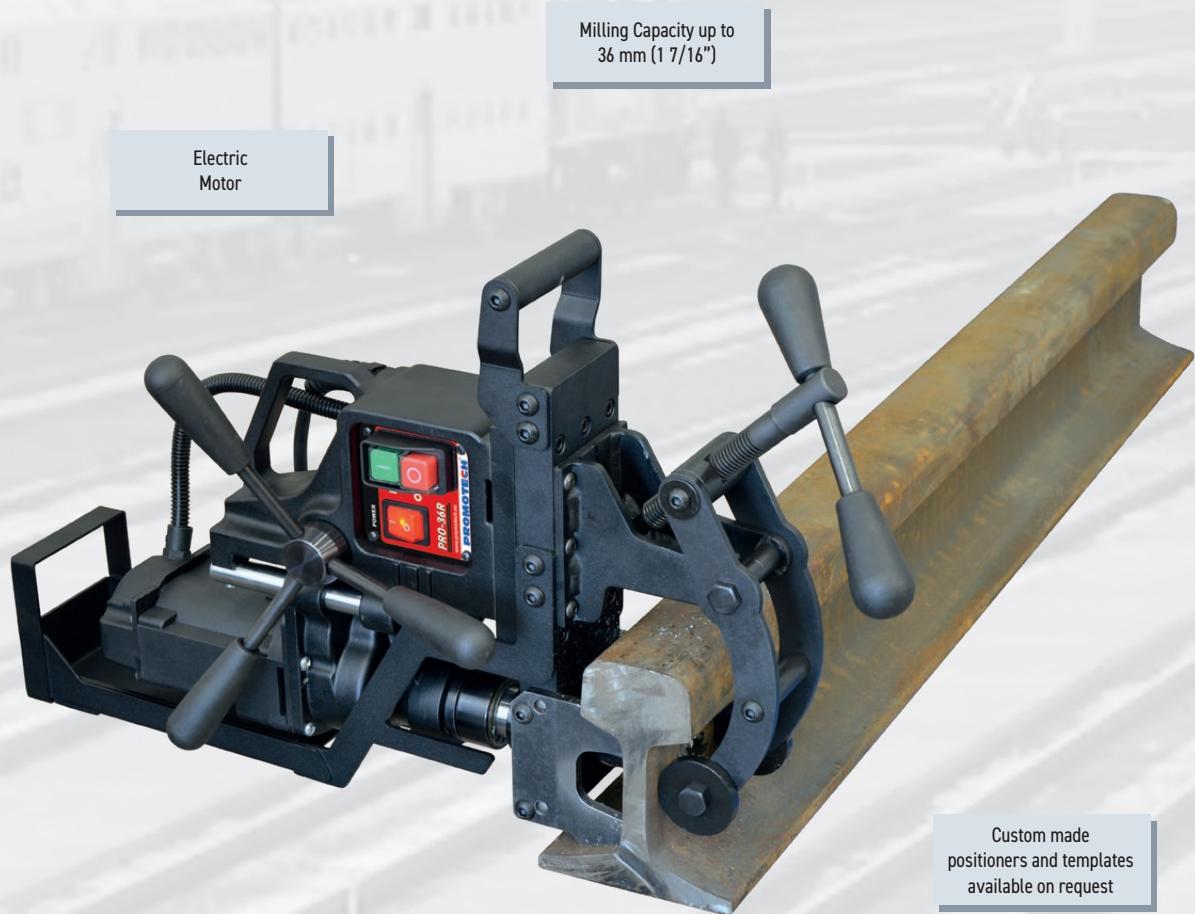
A very powerful compact and lightweight machine for drilling in rails.

Fast positioning, quick clamping and instant unlocking mechanisms make it easy to use and safe device.

PRO-36R enables drilling in rails of any standard by means of 2pcs of optional rail profile templates and 1pcs of hole centre positioner, to be chosen by customers from a comprehensive range of auxiliary accessories dedicated to a variety of types of rails.

Pressure Coolant system including 5l bottle enables forced feeding of cooling medium in any drilling positions. It is ideal solution when gravitational feeding fails.

PRO-36R can also be ordered with Honda 4-stroke petrol motor as PRO-36RH.



Milling Capacity up to  
36 mm (1 7/16")

Electric  
Motor

Custom made  
positioners and templates  
available on request



Core drill:  
max 36 mm  
(1-7/16")



Twist drill:  
max 16 mm (5/8")  
with Weldon Shank  
19 mm (3/4")



Depth of cut:  
up to 30 mm  
(1-3/16")



Stroke:  
40 mm  
(1-9/16")



Speed:  
350 rpm



Power:  
1020 W



Weight:  
14.5 kg  
(32 lbs)



Max  
Ø 36 mm  
(1 7/16")



Max  
Ø 16 mm  
(5/8")

#### PRO-36R TECHNICAL SPECIFICATION

Tool Holder	Arbor 19 mm; 3/4" Weldon
Max milling capacity	36 mm (1-7/16")
Max drilling capacity	Ø 16 mm (5/8")
Stroke	40 mm (1-9/16")
Max depth of cut	30 mm (1-3/16")
Motor type	Electric 1~ 220-240 V, 50-60 Hz 1~ 110-120 V, 50-60 Hz
Power	1020 W
Speed (under load)	350 rpm
Weight	14,5 kg (32 lbs)
Product Code 230V/50Hz	WRT-0676-10-20-00-0
Product Code 115V/60Hz	WRT-0676-10-10-00-0

#### Standard shipping set:

- Rail Drilling Machine
- Metal Box
- Pressure Coolant 0.5l Bottle Assembly with Adapter
- Set of Tools
- Instruction Manual
- Standard shipping weight - 33,6kg (72 lbs 8 oz)

Rail profile templates and hole centre positioner are to be ordered, separately.

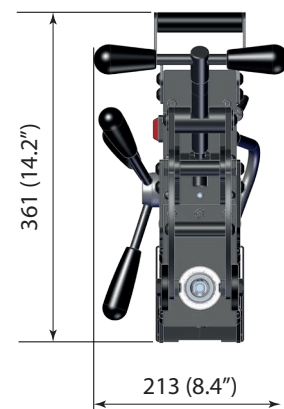
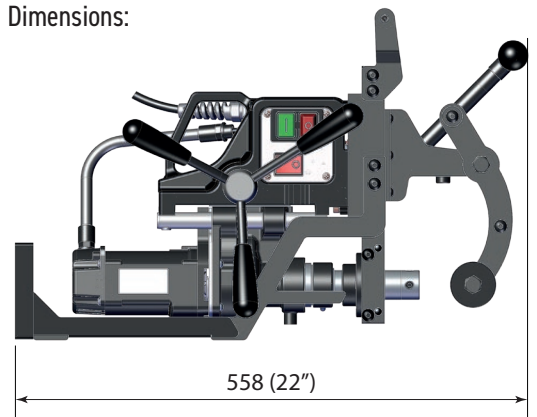


Upon customer's request any rail profile templates and hole centre positioners are subject to manufacture to meet any required rail standard.

#### Selected additional accessories:

- |                       |  |
|-----------------------|--|
| • UST-0275-00-01-00-0 | S49 Rail Profile Template                          |
| • UST-0275-00-02-00-0 | UIC 60 Rail Profile Template                       |
| • UST-0275-00-03-00-0 | P50 Rail Profile Template                          |
| • UST-0275-00-04-00-0 | P65 Rail Profile Template                          |
| • UST-0275-00-06-00-0 | NP46 Rail Profile Template                         |
| • UST-0275-00-07-00-0 | UIC54 Rail Profile Template                        |
| • WZR-0275-99-00-00-0 | S49 Hole Centre Positioner                         |
| • WZR-0275-14-00-00-0 | UIC 60 Hole Centre Positioner                      |
| • WZR-0275-15-00-00-0 | P50 Hole Centre Positioner                         |
| • WZR-0275-16-00-00-0 | P65 Hole Centre Positioner                         |
| • WZR-0275-23-00-00-0 | NP46 Hole Centre Positioner                        |
| • WZR-0275-24-00-00-1 | UIC54 Hole Centre Positioner                       |
| • ZSP-0275-38-00-00-0 | Double-sided counter-sinking tool Ø 36mm (1 7/16") |

Dimensions:



Pressure Coolant 5l Bottle  
Assembly with Adapter  
PJM-0676-10-00-00-0

All information is subject to change without notice. 21.12



PROMOTECH Sp. z o.o.  
ul. Elewatorska 23/1, 15-620 BIAŁYSTOK, POLAND  
tel. (+48 85) 678 34 05, fax (+48 85) 662 78 77  
marketing@promotech.eu www.promotech.eu

Your local dealer:

