

■ GECKO BATTERY 2 | CORDLESS WELDING TRACTOR

The GECKO Battery 2 is a battery-powered trackless welding tractor designed to produce continuous butt and fillet welds using MIG/MAG torches.

CAS LiHD battery delivers enough power for handling even the toughest applications with no cables. 4-wheel drive system with magnetic traction and a feedback loop provide speed stabilization in various welding positions.

Constant, continuous and repeatable travel speed enables weld bead geometry that is exact to the required specifications, thus reducing costly over welding and substantially decreasing filler metal usage.

Users can select arc ignition times of up to 5 seconds at the start and end of tractor travel to create a preferred weld fill at both ends.

GECKO Battery 2 is ready to be configured with an external OSC-8 PRO pendulum oscillator, which can be powered from the built-in oscillator socket.



■ Applications:

- Trailer manufacturing
- Truck tanks
- Oil tanks
- Water storage tanks
- Transformers
- Shipyards

■ Primary features and benefits:

- Conveniently powered by an 18-volt DC battery – the same CAS battery as used in other cordless PROMOTECH machines
- LiHD battery ensures extended power availability even for the whole shift
- Intelligent battery management for long-lasting battery
- Digital speed control and stabilization for high quality welds
- Multifunctional LED display to present travel speed, units and diagnostic messages
- Compact, lightweight design with durable aluminum cast housing
- Optional accessories make GECKO Battery 2 fit for various applications with carbon steel, stainless steel and aluminum
- Possibility of pre-setting the torch activation time before and after the tractor travel for better filling of the weld seam at both ends
- Built-in oscillator socket for direct powering of external OSC-8 PRO pendulum oscillator



Continuous
welding



Dual torch
welding



Dual arc ignition



Horizontal speed
0–110 cm/min
(0–43.3 in/min)



Min. path
concave radius
800 mm (31-1/2")



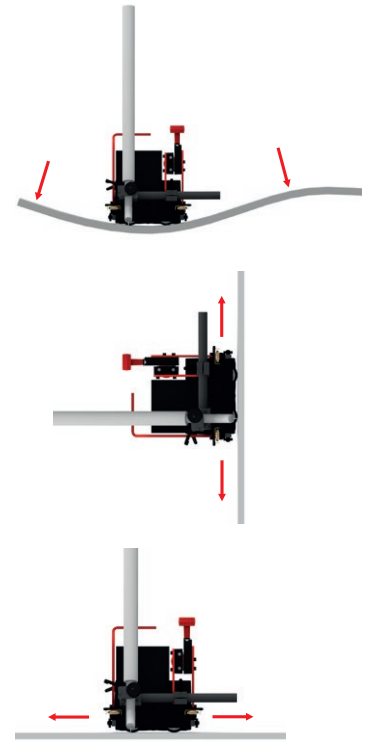
Min. path
convex radius
600 mm (23-5/8")



Weight
8.4 kg
(18.5 lbs)

More features and benefits:

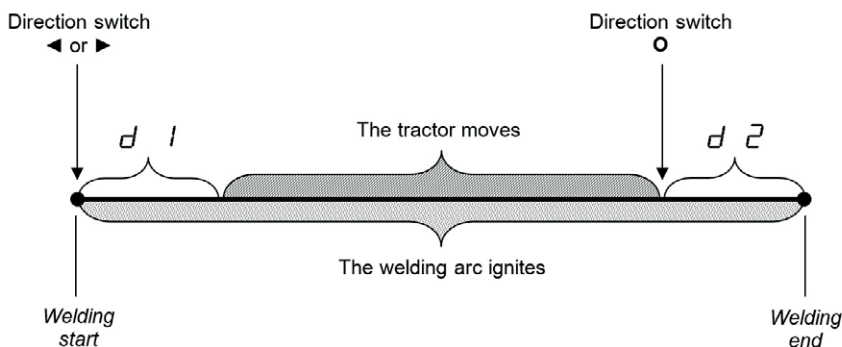
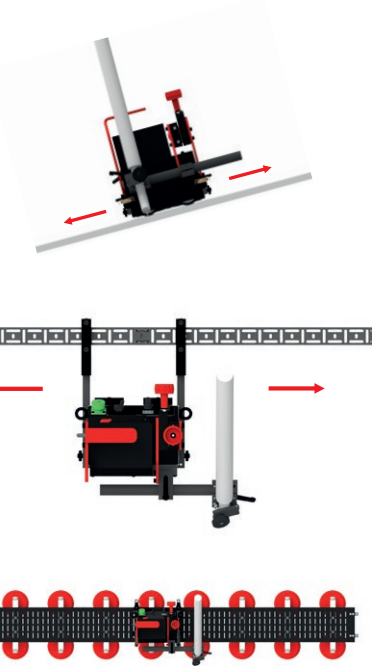
- Strong magnetic traction permits out of position use
- Heat resistant silicone wheels
- Quick clamping torch holder mechanism for different types of MIG/MAG torches with diameters of 16-22 mm (5/8"-7/8"); optionally up to 35 mm (1-3/8")
- Precise torch adjustment with screw drive cross slide
- Consistent heat input reduces distortion
- Reduced wasted filler metal - eliminates over welding
- Automatic arc on/off system initiates welding with travel, simultaneously
- Capable of carrying and controlling two torches
- Self-guiding roller arms eliminate the need for track
- Multi-surface guiding with user-friendly adjustment of tractor position
- Improves working environment - removes operator from heat and fumes
- Thermal cutting possible



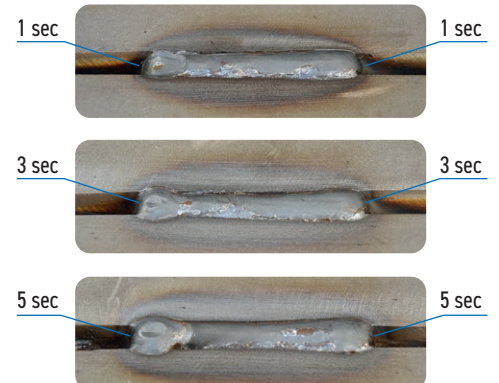
Pre-setting torch activation time

- Users can now select arc ignition times of up to 5 seconds at the start and end of the GECKO Battery 2 travel to create a preferred weld fill at both ends.

Parameter	Value	Description
$d1$	0-5 s [step: 0.5 s]	Tractor movement delay time. When the direction switch is set to ◀ or ▶: <ul style="list-style-type: none"> • $d1 = 0$ s - the arc ignites and the tractor starts immediately, • $d1 > 0$ s - the arc ignites and the tractor starts after the set time (see drawing above)
$d2$	0-5 s [step: 0.5 s]	Arc out delay time. When the direction switch is set to 0: <ul style="list-style-type: none"> • $d2 = 0$ s - the tractor stops and the arc goes out immediately, • $d2 > 0$ s - the tractor stops and the arc ignites for the set time (see drawing above)



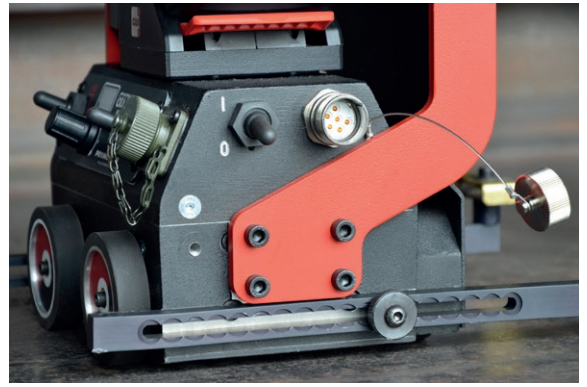
Crater filling times



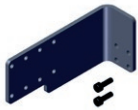
Configuration with optional pendulum oscillator OSC-8 PRO:

GECKO Battery 2 is ready for use with the OSC-8 PRO external pendulum oscillator and has built-in socket to power the oscillator. This eliminates the need for a separate oscillator power supply.

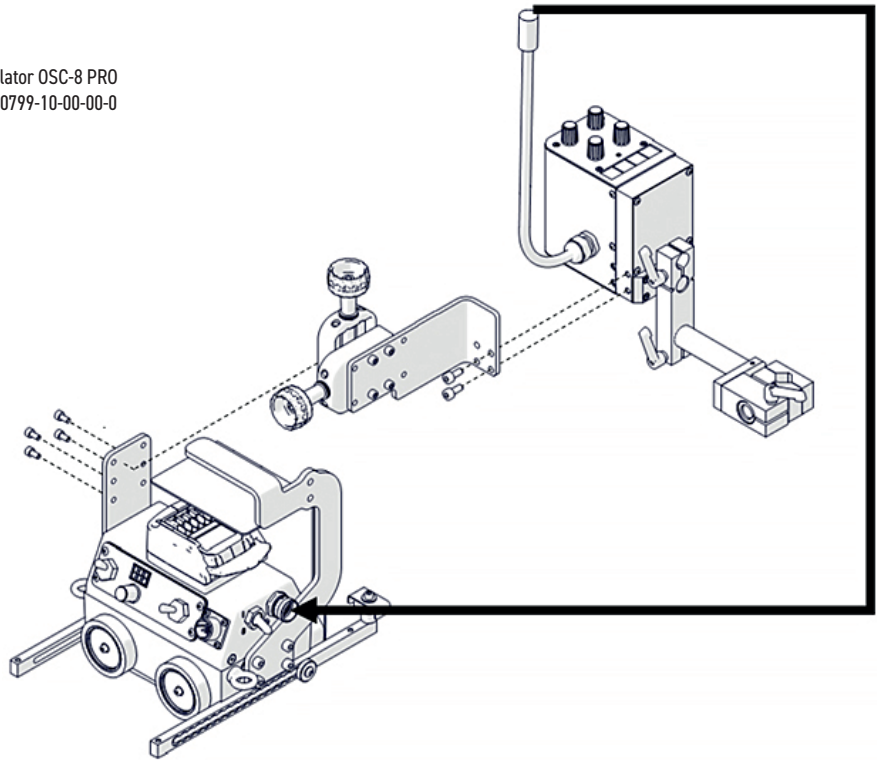
New OSC-8 PRO oscillator with digital LED display enables precise setting and reading of weave width, weave speed, and left/right side dwell times. Display indicates also the current status of the OSC-8 PRO and provides safety and diagnostic information.



Oscillator OSC-8 PRO
OSC-0799-10-00-00

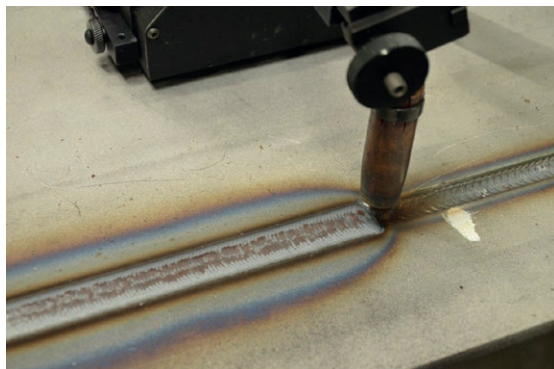
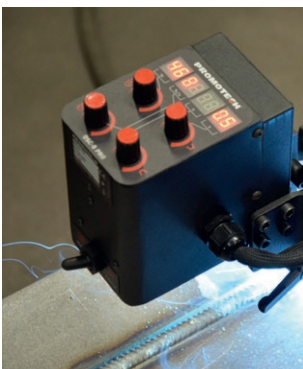
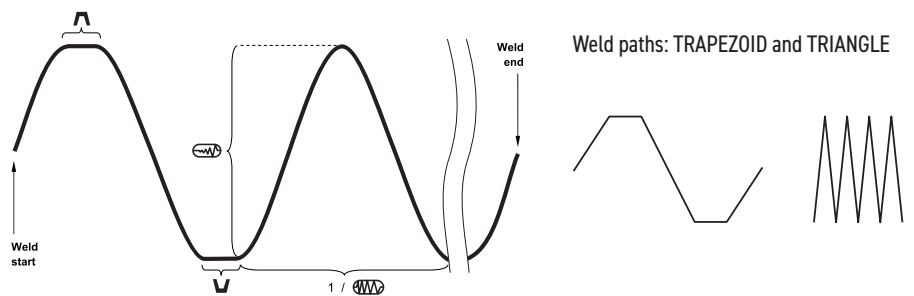


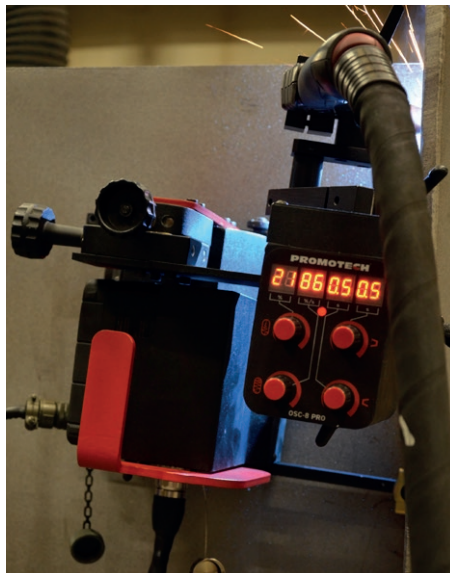
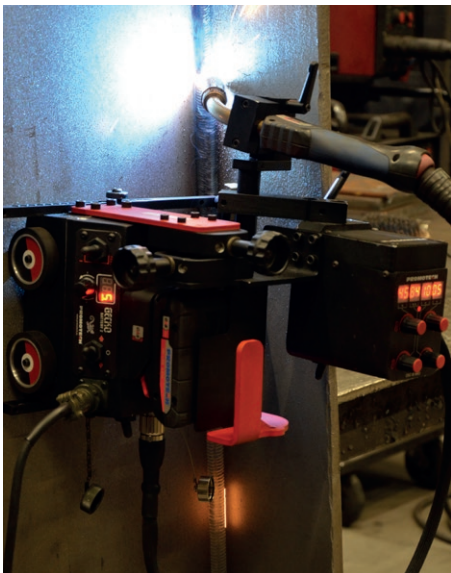
Oscillator support
(incl. two M6x14 screws)
KTW-0805-99-01-00-0



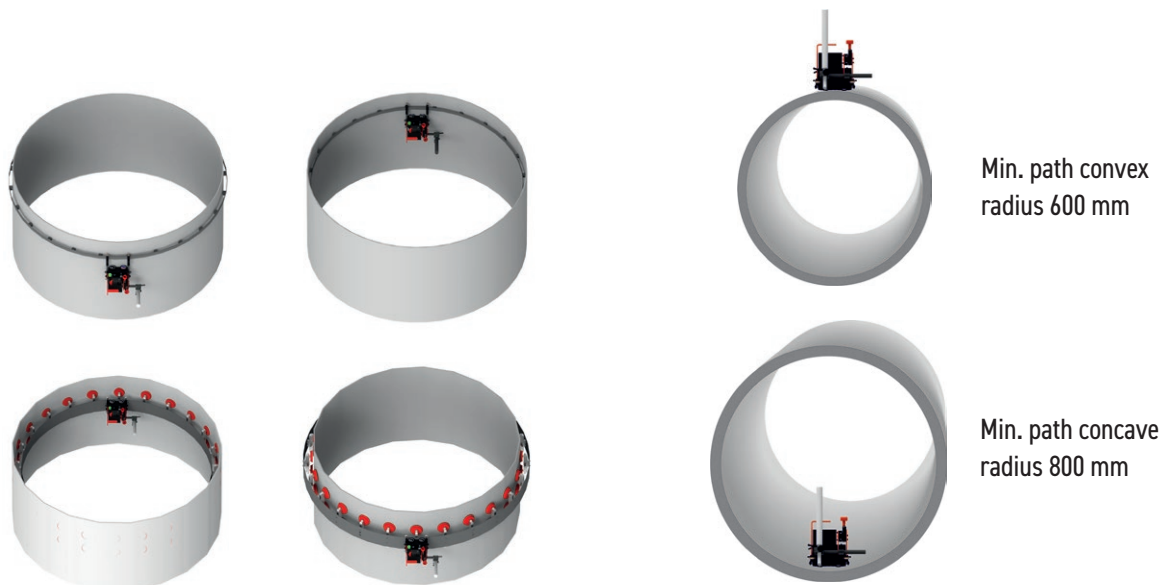
The following oscillation parameters can be set and adjusted with both pendulum weave welders:

- oscillation width
- oscillation speed
- dwell time on both ends





Versatility of applications including out-of-position use



Control system of battery pack:

Detection and supervised parameters:

- too low and too high voltage
- too low and too high temperature
- failure of the temperature sensor
- internal battery failure

Benefits:

- over discharge protection
- extended battery life
- high level of safety for both tractor and operator



Standard accessories



Battery 4.0 Ah
AKM-0738-10-00-01-0
(2 pcs included)



Dual arc ignition cable of 6.5 m (21 ft)
KBL-0466-17-00-00-0



Standard guide arms 15 x 15 mm (set of 2 pcs)
ZST-0752-17-00-00-1



Long rod torch holder with clamp 16-22 mm
UCW-0752-07-00-00-0

Optional accessories for variety of applications



Torch clamp 16-22 mm
ZRZ-0752-07-01-00-0



Torch clip 16-22 mm
ZCS-0476-06-01-00-0



Torch clamp 22-35 mm
ZRZ-0466-19-00-00-0



Short Rod Clamp
WLK-0476-20-01-00-0



Short rod torch holder
with clip 16-22 mm
UCW-0476-27-00-00-0



Long Rod Clamp
WLK-0466-04-10-00-0



Short rod torch holder
with clamp 16-22 mm
UCW-0754-07-00-00-0



Long rod torch holder
with clip 16-22 mm
UCW-0466-22-00-00-0



Torch Extension Arm
PRD-0466-43-00-00-0



Display cover
OSL-0526-22-00-00-0



Guide arm screw short 30 mm
SRB-0466-10-00-00-0



Fall arrester device
URZ-000001



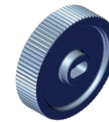
Cable anchor
PDT-0776-04-00-00-0



Battery Charger
LDW-0738-10-00-30-0 (EU)
LDW-0738-04-00-30-0 (UK)



Extended cross-slide
0-76 mm (0-3") either
up-down or left-right
ZSP-0466-46-00-00-1



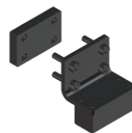
Stainless steel drive wheel
KOL-0466-72-00-00-0



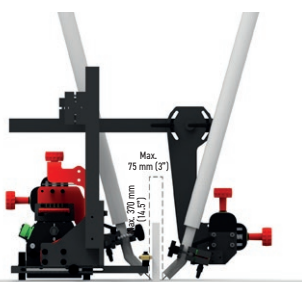
Dual Torch Mount
PDT-0466-40-00-00-0



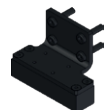
Oscillator OSC-8 PRO
OSC-0799-10-00-00-0



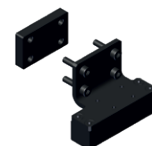
Magnet blocks
(front & back)
clamping force 55 N
BLO-0466-45-01-00-0



Oscillator support
(incl. two M6x14 screws)
KTW-0805-99-01-00-0



Magnet blocks (front)
clamping force 80 N
BLO-0752-22-00-00-0

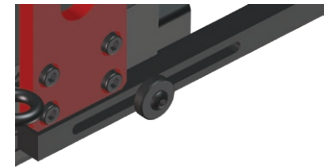
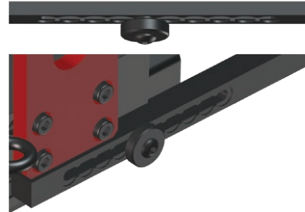
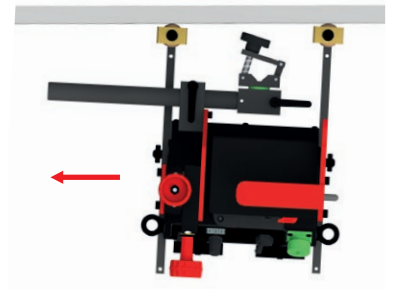


Magnet blocks (back)
clamping force 80 N
BLO-0466-48-01-00-0

Optional accessories for multi-surface guiding and variety of applications

Guide arms enable a proper welding tractor positioning.

- 7 different guide types are dedicated to various welding applications and positions
- include a number of fixing grooves for your convenience
- enable simpler, easier and more consistent adjustment of how guide arms stick out
- secure proper tilting of the tractor into a direction of its movement
- maintain a permanent contact with the workpiece
- allow either interval or continuous guide arms adjustment



Each new guide arm has got a number of indented grooves only on one side.

Interval adjustment of a degree how much the guide arms stick out

Continuous adjustment of a degree how much the guide arms stick out

All types of guide arms are available in pairs of 2 pcs: right and left.



Low guide arms
15 x 15 mm (set of 2 pcs)
PRW-0752-12-00-00-1



High guide arms
15 x 15 mm (set of 2 pcs)
PRW-0752-13-00-00-1



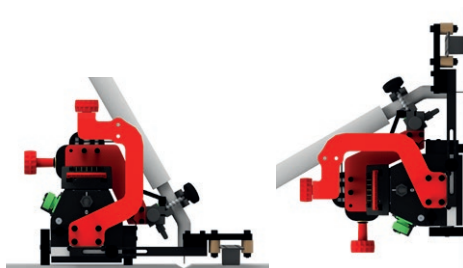
Edge following guide arms
15 x 15 mm (set of 2 pcs)
PRW-0466-41-00-00-1



Adjustable guide arms
15 x 15 mm (set of 2 pcs)
PRW-0752-10-00-00-1

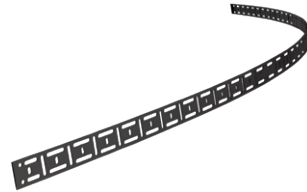


Following guide arms 15 x 15 mm
for 36 mm wide flexible track (set of 2 pcs)
PRW-0752-14-00-00-1



Magnet guide arms 15 x 15 mm (set of 2 pcs)
PRW-0752-11-00-00-1





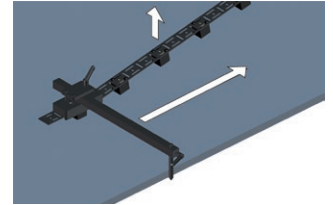
36 mm wide flexible track, length 185cm (6ft) 1pc
Minimum curvature radius of 1.0 m (3.3 ft)
PRW-0466-50-01-01-0



Magnetic block for 36 mm wide flexible track (box of 10 pcs)
BLO-0466-68-00-00-0



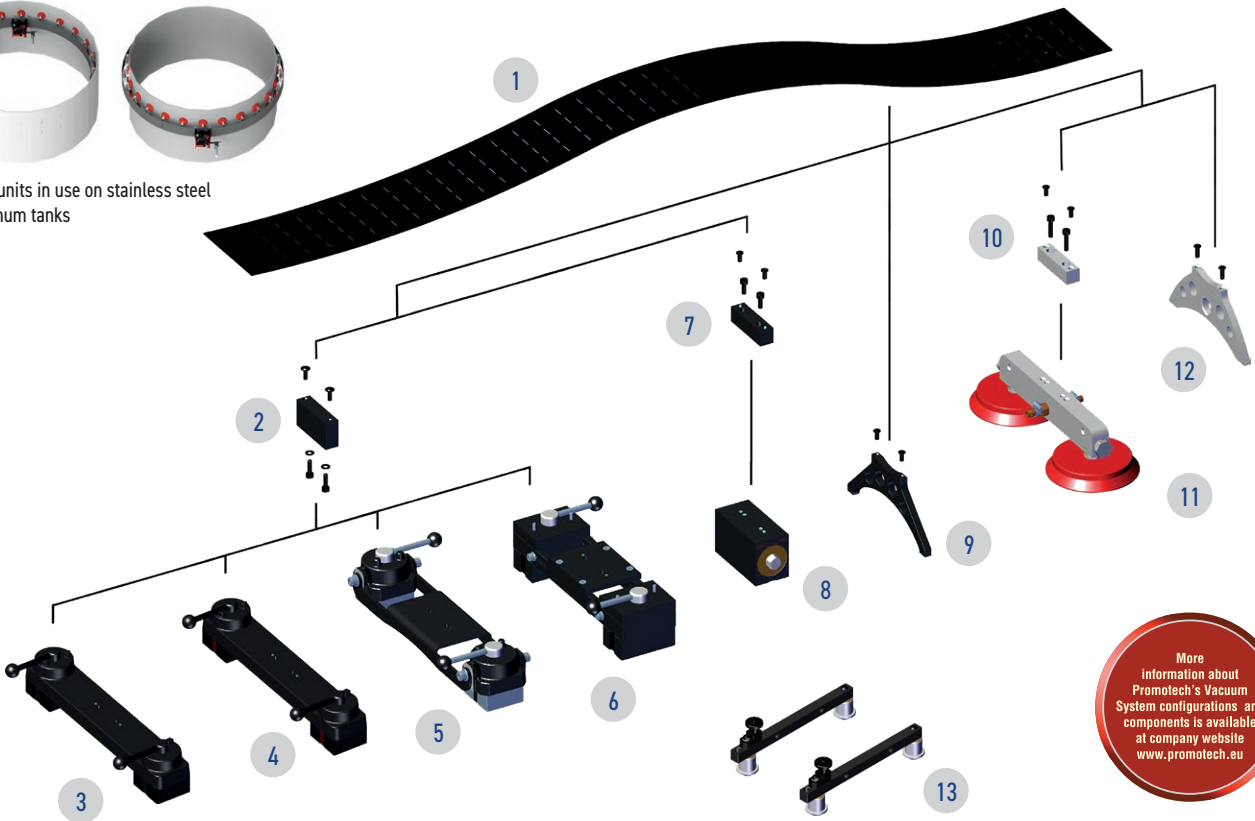
Guide adjustment tool for 36 mm wide flexible track
UST-0466-53-00-00-0



Depending on sort of fixing units in use with 160 mm wide flexible track, GECKO Battery 2 welding tractor is suitable for applications with carbon steel, stainless steel and aluminum.



Vacuum units in use on stainless steel or aluminum tanks



Ref.	Product code	Description
1	PRW-0466-71-00-00-0	160 mm wide flexible track length 1.88 m (6.1 ft), minimum curvature radius of 1.25 m (4.1 ft)
2	DYS-0466-71-05-00-0	Bracket for magnetic units for 160 mm wide flexible track
3	ZSP-0475-92-00-00-0	Magnetic unit
4	ZSP-0475-93-00-00-0	Heat-resistant magnetic unit
8	ZSP-0475-85-00-00-0	Pivoting magnetic unit
9	ZSP-0523-19-00-00-0	Spacing-adjustable magnetic unit
5	DYS-0466-71-07-00-0	Bracket for narrow magnetic unit for 160 mm wide flexible track
6	PDS-0582-10-00-02-0	Narrow magnetic unit with hexagon
7	WSP-0466-71-06-00-0	Steel support for 160 mm wide flexible track
10	DYS-0466-71-04-00-0	Bracket for vacuum modular unit for 160 mm wide flexible track
11	MST-0541-10-02-00-0	Vacuum modular unit
12	WSP-0466-71-03-00-0	Aluminium support for 160 mm wide flexible track
13	ZST-0466-69-00-00-0	Following guide arms for 160 mm wide flexible track (set of 2 pcs)

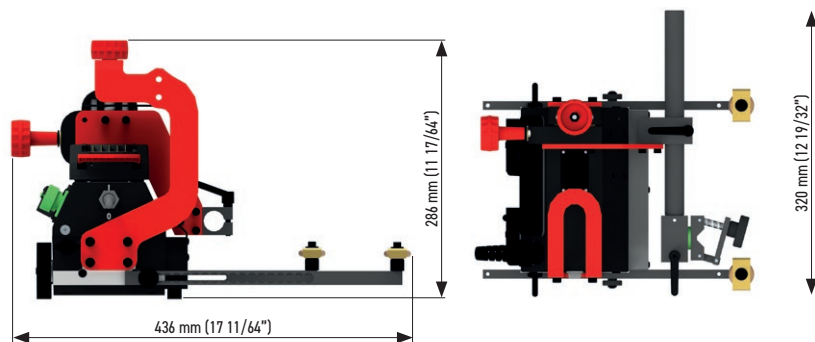
TECHNICAL SPECIFICATIONS GECKO BATTERY 2

Voltage	18 V DC, 4.0 Ah	
Power	20 W	
Welding position (according to EN ISO 6947 and AWS/ASME)	Horizontal	PA / 1F / 1G PB / 2F PC / 2G PD / 4F PE / 4G
	Vertical	PF / 3G PG / 3F (with OSC-8 PRO)
Minimum path curve radius	Outer	600 mm (23-5/8")
	Inner	800 mm (31-1/2")
Torch diameter	16-22 mm (5/8"-55/64") up to 35 mm (1.38") option	
Minimum workpiece thickness	4 mm (0.16")	
Ground clearance	4 mm (0.16")	
Horizontal pulling force	150 N	
Cross slide adjustment range	0-35 mm (0-1.38") up-down, left-right	
Horizontal speed*	0-110 cm/min (0-43.3 in/min)	
Weight	8.4 kg (18.5 lbs)	
Welding settings storage	1 (last used)	
Product Code	WOZ-0805-10-00-00-0	

* With battery fully charged.



Dimensions:



Standard shipping set:

- GECKO Battery 2 tractor
- Battery 4.0 Ah (2 pcs included)
- Standard guide arms (set of 2 pcs)
- Long rod torch holder with clamp 16-22 mm
- Dual arc ignition cable of 6.5 m (21 ft)
- 4 mm hex wrench
- Plastic box
- Operator's manual



More information at www.promotech.eu

Your local dealer:



PROMOTECH Sp. z o.o.
Elewatorska 23/1
15-620 Białystok, POLAND
Phone +48 85 678 34 05
marketing@promotech.eu

