

■ ABM-30 | AUTO TRAVEL TRACKLESS BEVELLER

The ABM-30 portable beveling machine performs auto travel beveling on steel plates on top, face and bottom edges. The beveller needs no track to move along steel plate to produce accurate high-quality double-side bevels without thermal distortion or creation of heat affected zone on plate thickness range 8-60 mm.

The ABM-30 features an infinitely adjustable bevel angle between -70 and +70 degrees and is capable of producing bevels up to 30 mm wide.

It also allows for facing in both directions with the milling head depth of 1 mm.

Features and benefits:

- 4-wheel drive eliminates a need for guide track
- self-propelled machine for consistent bevel geometry from edge-to-edge
- control panel indicates current work mode and gives safety and diagnostic information
- capable of producing bevels up to 30 mm wide
- infinite bevel angle adjustment from -70 to +70 degrees is quick and user-friendly
- variable spindle speed
- produces double-side bevels without having to flip the plate enhancing safety and reducing material handling time and expense
- feedback-controlled overload system to prevent motor damage
- semi-automatic drive stop at plate end
- plate thickness up to 60 mm



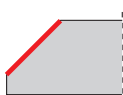
Top beveling



Bottom beveling



Facing-off



Top beveling



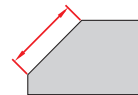
Facing off



Bottom beveling



Plate thickness
max 60 mm



Bevel width
up to 30 mm



Bevel angle
between -70 and 70°

ABM-30 TECHNICAL SPECIFICATION	
Voltage	1~ 200-240 V, 50/60 Hz 1~ 110-120 V, 50/60 Hz
Power	2200 W
Spindle rotational speed (without load)	1800-5850 rpm
Feed speed	0-2 m/min (0-6.5 ft/min)
Bevel angle (β , Fig. 1)	From -70° to 70°
Maximum bevel width (b, Fig. 1)	30 mm (1.18")
Sheet thickness	8-60 mm (0.3-2.3")
Required ambient temperature	5-40°C
Weight	43 kg (94.8 lbs)
Product Code	UKS-0690-10-00-00-0



Precise bevel angle setting

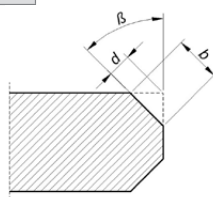


Convenient adjustment to plate thickness



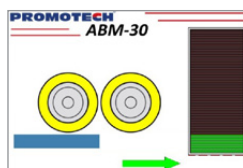
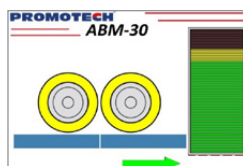
Innovative and ergonomic bevel angle adjustment system with release lever requires no additional tools

β	0°	15°	37.5°	45°	60°	70°
b	30 mm (1.18")	30 mm (1.18")	30.5 mm (1.2")	30 mm (1.18")	30 mm (1.18")	31 mm (1.22")



Control panel

- Feed direction indication
- Material detection
- Bar graph for motor load illustration
- Visual warning signals

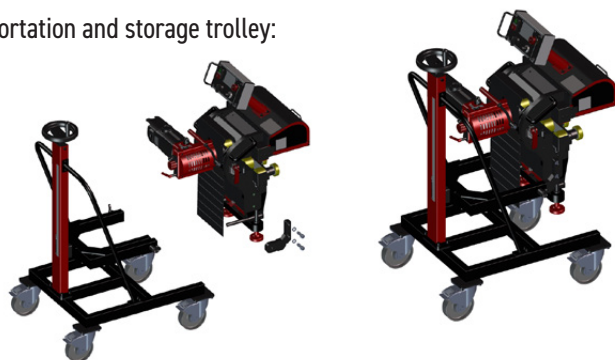


Shipping set:

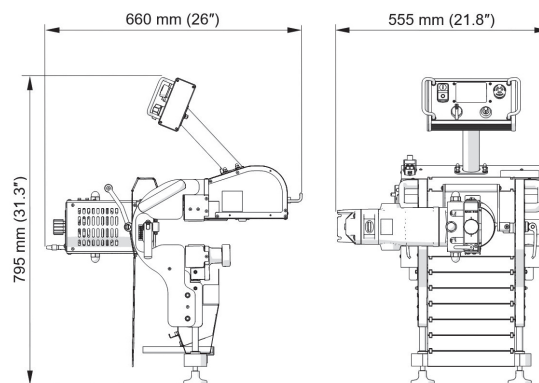
- Beveling machine (with a milling head and 5 cutting inserts)
- Tool box
- Drift
- 10 mm hex wrench
- 3 mm hex wrench
- 8 mm combination wrench
- Grease for screws Molykote 1000 (5 g, 0.17 oz)
- Operator's Manual

Additional accessory:

Transportation and storage trolley:



Dimensions:



All information is subject to change without notice. 23.06



PROMOTECH Sp. z o.o.
ul. Elewatorska 23/1, 15-620 BIAŁYSTOK, POLAND
tel. (+48 85) 678 34 05, fax (+48 85) 662 78 77
marketing@promotech.eu www.promotech.eu

Your local dealer:

