

## PRO-WP 150 PRO-WP 300

## WELDING POSITIONERS

The welding positioners enable round or tubular pieces of metal to be rotated easily, provide better weld seam accessibility, can help produce high quality welds and increase deposition rates.

Frequency inverter ensures continuous speed adjustment and speed stabilization at the set value.

They reduce time and effort for the welders, who can focus on their job with no need to constantly move around their workspace in order to get the best position.

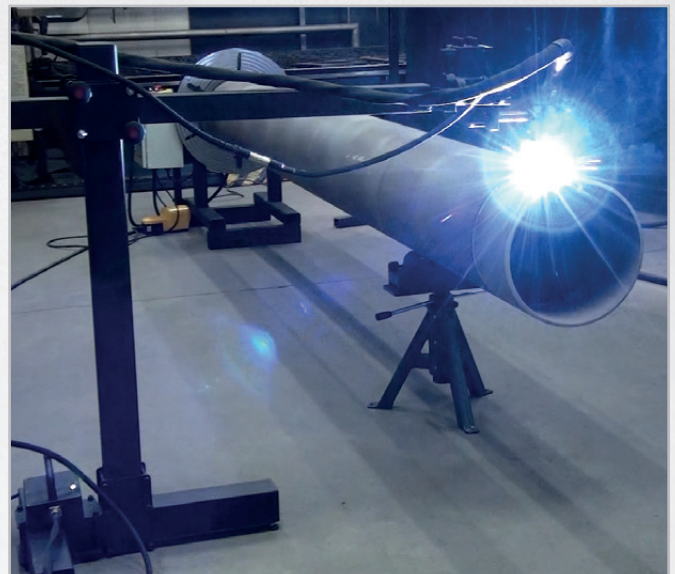
The compact design takes up minimal floor space and tilting up to 90 degrees improves ergonomics of the workspace.

Selection of various auxiliary accessories make it possible to create an advanced modular welding station and customize it depending on required welding or cutting applications to maximize production efficiency.



### ■ Features & Benefits:

- Left or right rotation
- Continuous speed adjustment
- Speed stabilization within full speed range from 0,12 rpm up to 2,4 rpm
- Start/Stop (both controller and foot pedal)
- Arc ignition
- Remote control
- Foot pedal for hands-free operation
- Heavy duty construction
- Lots of auxiliary accessories enable building a modular welding station tailored for various welding and cutting applications

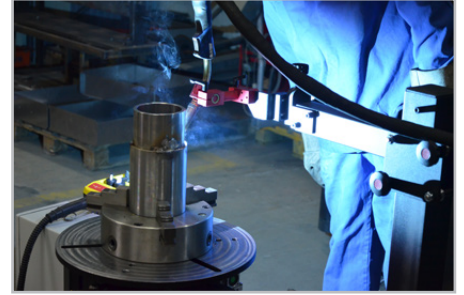
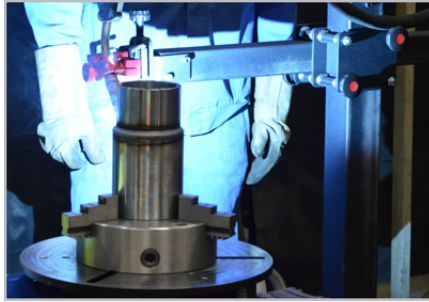


**Optional accessories for various welding and cutting applications:**

- Lathe self-centering chuck D250



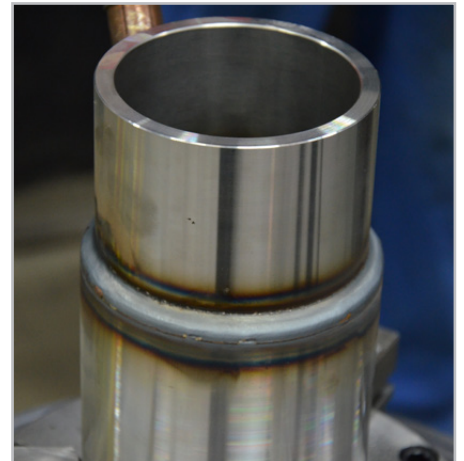
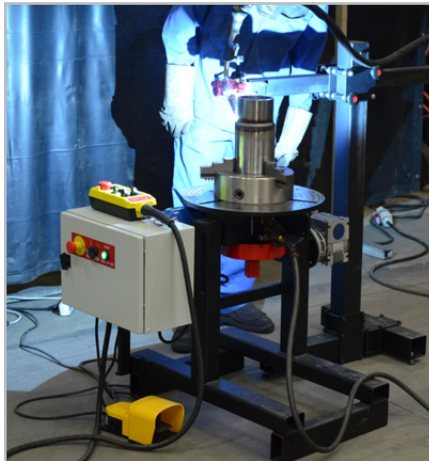
External clamping diameter:  $\Phi$  90–250 mm  
 Internal clamping diameter:  $\Phi$  6–110 mm,  
 $\Phi$  80–250 mm  
 Product code: UCW-0681-18-00-0-0



- Lathe self-centering chuck D400  
 (for PRO-WP 300 only)



External clamping diameter:  $\Phi$  120–400 mm  
 Internal clamping diameter:  $\Phi$  15–210 mm,  
 $\Phi$  120–400 mm  
 Product code: UCW-0681-17-00-0-0



- Keyless self-centering chuck DD300



External clamping diameter:  $\Phi$  170 – 280 mm  
 Internal clamping diameter:  $\Phi$  80 – 190 mm  
 Product code: UCW-0681-19-00-0-0

- Keyless self-centering chuck DD400  
 (for PRO-WP 300 only)



External clamping diameter:  $\Phi$  250 – 380 mm  
 Internal clamping diameter:  $\Phi$  120 – 250 mm  
 Product code: UCW-0681-20-00-0-0

- Torch Holder



To be fixed directly on positioner  
 Product code: UCW-0681-14-00-0-0



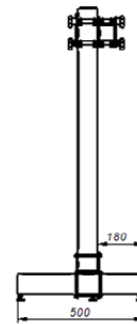
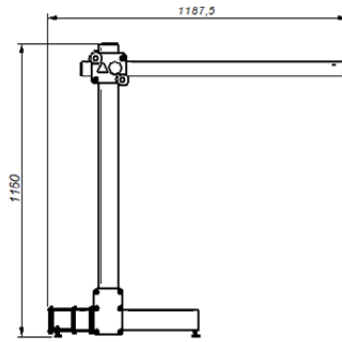
- MINI C&B type PRO-WA 1X1



Product code: STJ-0709-10-00-00-0



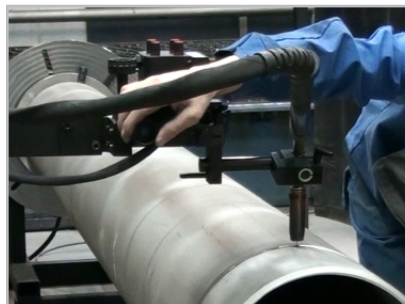
MINI C&B type PRO-WA 1X1	
Height	1160 mm
Length	1188 mm
Width	500 mm
Vertical movement range	810 mm
Horizontal movement range	815 mm
Maximum load with full extension of horizontal arm	7 kg



- Cross slide assembly (option)



35 mm x 35 mm (left & right, up & down)  
Product code: ZSP-0466-14-00-00-0



- Roller support



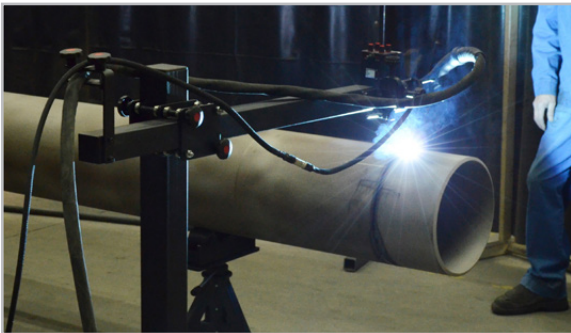
Load capacity: 1000 kg (2200 lbs)  
Product code: WSP-0681-16-00-00-0



- Pendulum Oscillator OSC-8



Product code: OSC-0497-10-00-00-0



- Power Supply



Product codes:

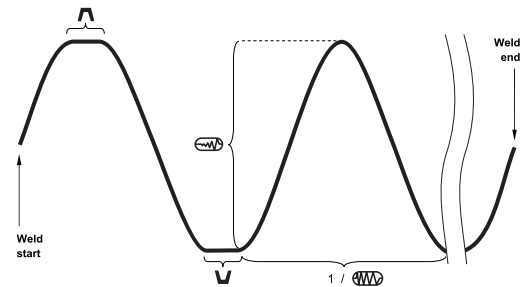
ZSL-0497-16-00-00-0 (230 V CEE)

ZSL-0497-16-00-01-0 (115 V USA)

ZSL-0497-16-00-02-0 (230 V AU)

ZSL-0497-16-00-03-0 (230 V UK, type G)

ZSL-0497-16-00-04-0 (230 V IN, type D)

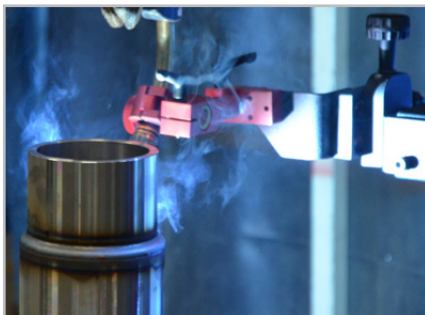


Parameter	Value	Description
	0-100%	Oscillation width
	0-100%	Oscillation speed
	0-3 s	Oscillation dwell time in the top position
	0-3 s	Oscillation dwell time in the bottom position

OSC-8 PENDULUM WEAVER	
Voltage	14-24 V DC
Power	50 W
Torch type	MIG/MAG
Torch diameter	16-22 mm (5/8-7/8")
Oscillation type	Pendulum
Oscillation width at r=150 mm (6")	1-30 mm (1-100%) 1/32-1-3/16" (1-100%)
Oscillation speed at oscillation width of 10 mm (3/8") and zero dwell time on ends	12-115 cycles/min (1-100%)
Oscillation dwell time on ends	0-3 s
Maximum torque	8 N·m (5.7 lb·ft)
Required ambient temperature	0-50°C (32-122°F)
Weight	2 kg (4 lbs)
Product code:	OSC-0497-10-00-00-0



## ■ Clamping accessories for welding torches (to choose from)



- Short rod torch holder with clamp 16-22 mm  
Product code: UCW-0476-20-00-00-0



- Long rod torch holder with clamp 16-22 mm  
Product code: UCW-0466-04-00-00-0



- Short low rod torch holder with clip 16-22 mm  
Product code: UCW-0476-06-00-00-0



- Short rod torch holder with clip 16-22 mm  
Product code: UCW-0476-27-00-00-0



- Long rod torch holder with clip 16-22 mm  
Product code: UCW-0466-22-00-00-0

## ■ Clamping accessories for cutting torches (to choose from)



- Standard torch holder with clamp 28-35 mm and rough angle adjustment  
Product code: UCW-0475-28-00-00-0



- Precise torch holder with clamp 28-35 mm and precise angle adjustment  
Product code: UCW-0475-08-00-00-0



- Standard machine torch holder for oxy-fuel cutting with vertical position setting and rough angle adjustment  
Product code for 30 mm torch with rack: UCW-0475-61-00-00-0  
Product code for 35 mm torch with rack: UCW-0475-29-00-00-1



- Precise machine torch holder for oxy-fuel cutting with vertical position setting and precise angle adjustment.  
Product code for 30 mm torch with rack: UCW-0475-59-00-00-0  
Product code for 35 mm torch with rack: UCW-0475-42-00-00-1



- Rod 150 mm for cutting torch holders  
Product code: SLP-0233-13-02-00-1

• Clamping set

Product code: ZST-0681-15-00-00



Clamp 100mm x 32mm x 19mm  
(3 pcs)



Double end stud bolt 75mm x 30mm (4 pcs)  
Double end stud bolt 100mm x 30mm (4 pcs)  
Double end stud bolt 125mm x 30mm (4 pcs)  
Double end stud bolt 150mm x 30mm (4 pcs)  
Double end stud bolt 175mm x 30mm (4 pcs)  
Double end stud bolt 200mm x 30mm (4 pcs)



Clamp 150mm x 32mm x 22mm  
(3 pcs)



Step block 28mm x 20mm - 38mm  
(4 pcs)



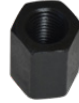
Step block 35mm x 28mm - 64mm  
(4 pcs)



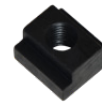
Step block 98mm x 64mm - 152mm  
(4 pcs)



Flanged nut  
M10 x 15mm  
(6 pcs)



Extension nut  
M10 x 30mm long  
(4 pcs)



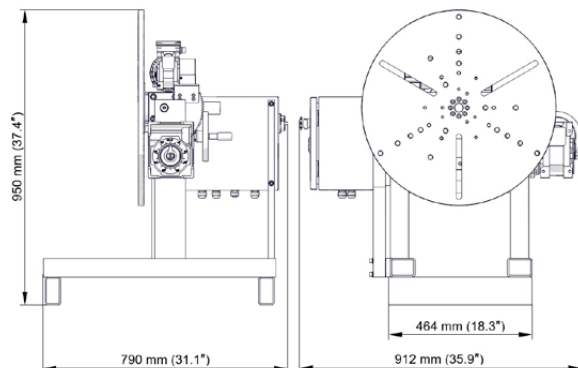
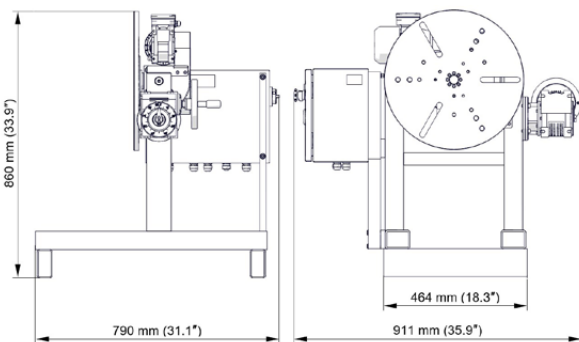
T-slot nut  
12mm x 18mm x 14mm  
(6 pcs)



The arc ignition allows the welding torch to be switched on and off remotely.

Technical specification	PRO-WP 150	PRO-WP 300
Voltage	1~ 220-240 V, 50-60 Hz 1~ 100-120 V, 50-60 Hz	1~ 220-240 V, 50-60 Hz 1~ 100-120 V, 50-60 Hz
Power	0,25 kW	0,25 kW
Speed range min/max	0,12 - 2,4 rpm	0,12 - 2,4 rpm
Max load capacity	150 kg (331 lbs)	300 kg (661 lbs)
Mass center offset from the table at a 90° tilt	up to 100 mm	up to 100 mm
Faceplate diameter	450 mm (17.7")	630 mm (24.8")
Hollow-shaft inside diameter	28 mm (1.1")	28 mm (1.1")
Tilting range with continuous angle adjustment	0-90°	0-90°
Tilting	manual	manual
Max. welding current transfer	400 A	400 A
Weight	115 kg (254 lbs)	150 kg (330 lbs)
Product code:	PZY-0681-10-10-00-0	PZY-0682-10-10-00-0

Dimensions:



Mitglied im DVS - Deutscher Verband für Schweißen und verwandte Verfahren e. V.



All information is subject to change without notice. 23.01



PROMOTECH Sp. z o.o.  
ul. Elewatorska 23/1, 15-620 BIAŁYSTOK, POLAND  
tel. (+48 85) 678 34 05, fax (+48 85) 662 78 77  
marketing@promotech.eu www.promotech.eu

Your local dealer:

