

PRO 36RH DRILLING MACHINE

A very powerful compact and light weight machine equipped with petrol Honda 4-stroke engine for drilling in rails. Fast positioning, quick clamping and instant unlocking mechanisms make it easy to use and safe device.

PRO 36 RH enables drilling in rails of any standard by means of 2pcs of optional rail profile templates and 1pcs of hole centre positioner, to be chosen by customers from a comprehensive range of auxiliary accessories dedicated to a variety of types of rails.

Pressure Coolant system including 5l bottle enables forced feeding of cooling medium in any drilling positions. It is ideal solution when gravitational feeding fails

PRO 36RH can also be ordered with electric motor as PRO 36R.

Milling Capacity up to
36mm (1 7/16")

Honda
4-stroke
Motor



Custom made
positioners
and templates
available
on request



Max
Ø 36 mm
(1 7/16")



Max
Ø 16 mm
(5/8")

| PRO 36RH - Technical specification | |
|------------------------------------|-----------------------------|
| Spindle | Arbor 19 mm; 3/4" Weldon |
| Tool holder | |
| Milling Cutter (Core drill) Ø | 12 - 36 mm (1/2" - 1 7/16") |
| Twist drill Ø | 1,5 - 16 mm; 1/16" - 5/8" |
| Stroke | 39 mm (1 9/16") |
| Max depth of cut | 30 mm (1 3/16") |
| Motor type | 4-stroke petrol engine |
| Power consumption [W] | 1500 |
| Motor Power [W] | 1500 |
| Speeds [rpm] | 225 |
| Weight | 23 kg (49 lbs 10 oz) |
| Product Code | WRT-0301-10-00-01-0 |

Standard shipping set:

- Rail Drilling Machine
- Metal Box
- Pressure Coolant 5l Bottle Assembly
- Set of Tools
- Instruction Manual (English)
- Standard shipping weight – 40kg (86 lbs 5 oz)

Rail profile templates and hole centre positioner and are to be ordered, separately.



Upon customer's request any rail profile templates and hole centre positioners are subject to manufacture to meet any required rail standard.

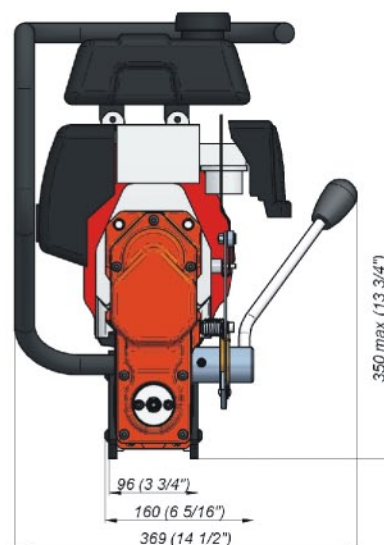
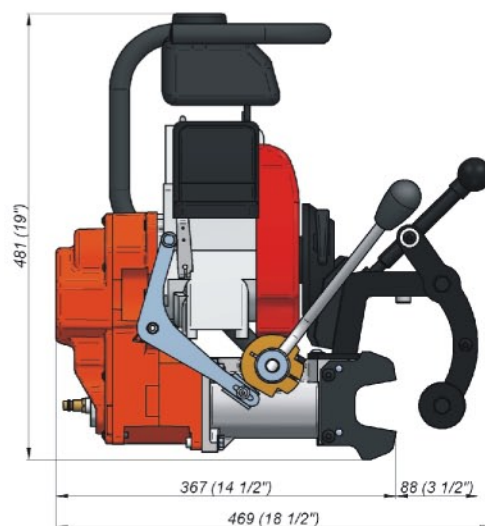
Selected additional accessories:

- UST-0275-00-01-00-0 S49 Rail Profile Template
- UST-0275-00-02-00-0 UIC 60 Rail Profile Template
- WZR-0275-13-00-00-0 S49 Hole Centre Positioner
- WZR-0275-14-00-00-0 UIC 60 Hole Centre Positioner
- ZSP-0275-38-00-00-0 Double-sided counter-sinking tool Ø 36mm (1 7/16")

More information about accessories and spare parts is available at www.promotech.eu

PROMOTECH Sp. z o.o.
ul. Elewatorska 23/1, 15-620 BIAŁYSTOK, POLAND
tel. (+48 85) 678 34 05, fax (+48 85) 662-78-77
marketing@promotech.eu www.promotech.eu

Your local dealer:



All information is subject to change without further notice version 10/2010

