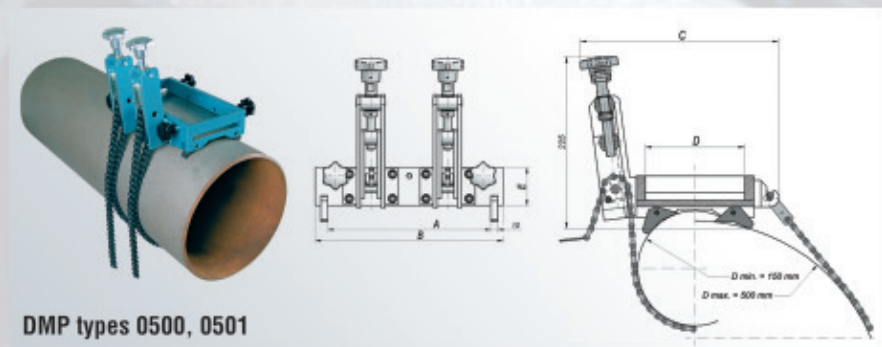
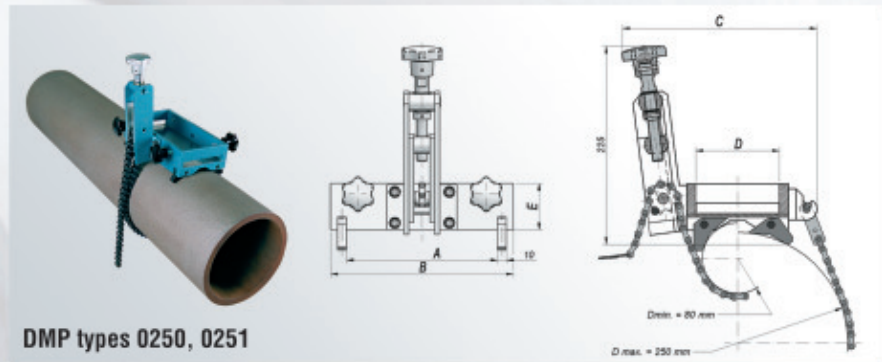


DMP ATTACHMENTS

The DMP attachments are designed for mounting of series PRO machines on pipes, tubes, tanks, oval workpieces and other parts which can be gripped with mounting chains.



Product Code	Type	A [mm]	B [mm]	C [mm]	D [mm]	E [mm]	Suitable for
PDS-0110-00-00-00-0	DMP 0250	152	188	211	85	52,5	PRO: 32, 35, 40
PDS-0110-00-00-01-0	DMP 0251	172	208	221	95	52,5	PRO: 45, 50
PDS-0111-00-00-00-0	DMP 0500	214	250	250	120	52,5	PRO: 32, 35, 40, 45, 50, 75, 100, 100/2
PDS-0111-00-00-01-0	DMP 0501	234	270	256	130	52,5	all PRO drills



All information is subject to change without further notice version 01/2009

