

DMP ATTACHMENTS

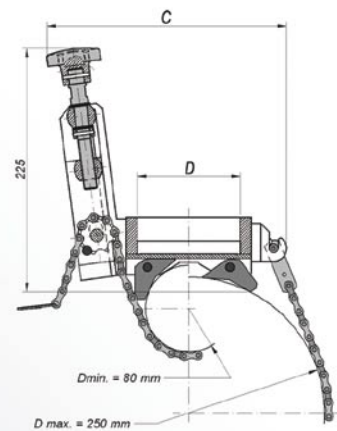
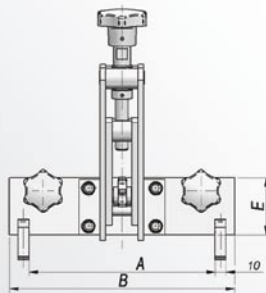
The DMP attachments are designed for mounting series PRO machines on pipes, tubes, tanks, oval workpieces and other parts which can be gripped with mounting chains.



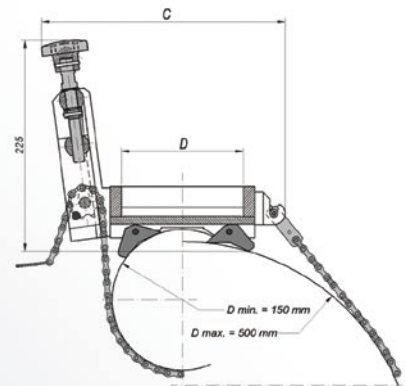
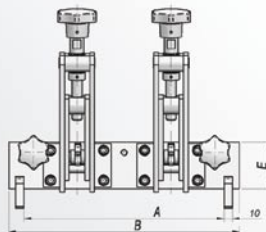
Order No.	Type	A [mm]	B [mm]	C [mm]	D [mm]	E [mm]	Suitable for
PDS-0110-00-00-00-0	DMP 0250	152	188	211	85	52,5	PRO: 32, 35, 40
PDS-0110-03-00-01-0	DMP 0251	172	208	221	95	52,5	PRO: 45, 50
PDS-0111-00-00-00-0	DMP 0500	214	250	250	120	52,5	PRO: 32, 35, 40, 45, 50, 75, 100, 100/2
PDS-0111-03-00-01-0	DMP 0501	234	270	256	130	54,5	all PRO drills



DMP types 0250, 0251



DMP types 0500, 0501



PROMOTECH Sp. z o.o.

ul. Elewatorska 23/1, 15-620 BIAŁYSTOK, POLAND
 tel. (+48 85) 678 34 05, fax (+48 85) 662 78 77
 marketing@promotech.eu www.promotech.eu

