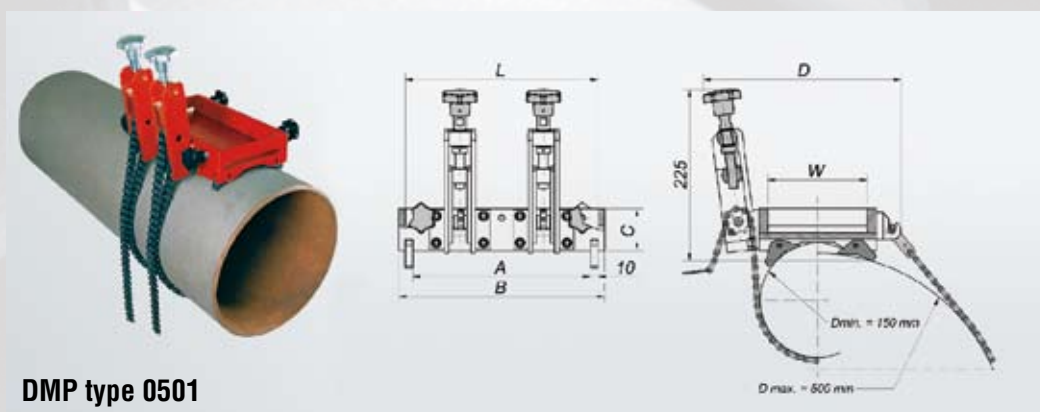
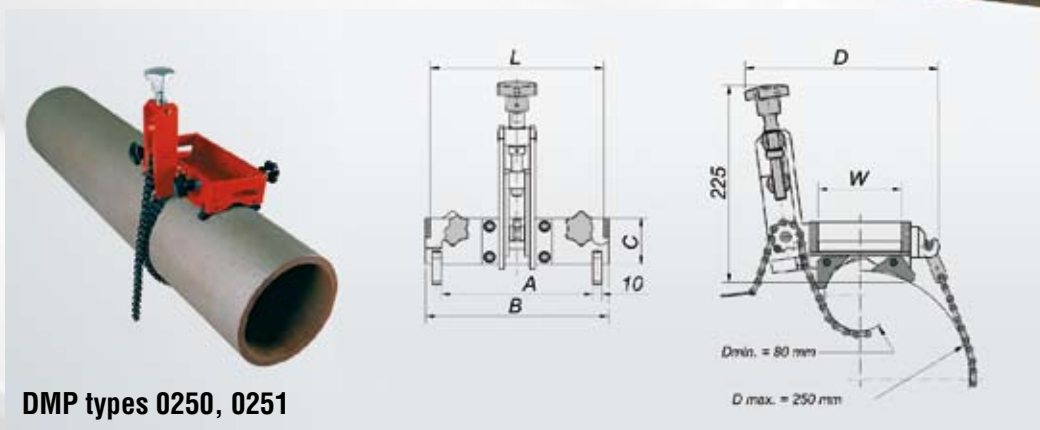


## DMP ATTACHMENTS

The DMP attachments are designed for mounting series PRO drills on pipes, tubes, tanks, oval workpieces and other parts, which can be gripped with mounting chains.

Product Code	Type	Suitable for	A [mm]	B [mm]	C [mm]	D [mm]	L [mm]	W [mm]
PDS-0110-10-00-01-0	DMP 0250	PRO 32, PRO 35, PRO 36, PRO 40	152	188	52,5	211	176	85
PDS-0110-03-00-01-0	DMP 0251	PRO 45, PRO 50, PRO 51	181	217	52,5	221	205	95
PDS-0111-03-00-01-0	DMP 0501	PRO 45, PRO 50, PRO 51, PRO 75, PRO 76, PRO 100, PRO 100/2, PRO 110, PRO 111, PRO 130,	234	270	52,5	260	258	130



All information is subject to change without further notice version 11/2010

