

## BM-15 Beveling Machine

Portable, handy beveling machine for flat and radius beveling. It can also perform countersinking beveling of holes with minimum 40mm diameter.

One milling head enables beveling edges with radius of 3 or 4 or 5mm with use of 4 indexable R3, R4 or R5 inserts.

Five milling heads enable beveling at 22.5°, 30°, 37.5°, 45° or 60° (other angles upon request). Each milling head uses 5 indexable inserts.

BM-15 is equipped with continuous bevel width adjustment, overheating protection and electronic speed control for use on a variety of materials like steel and aluminum.

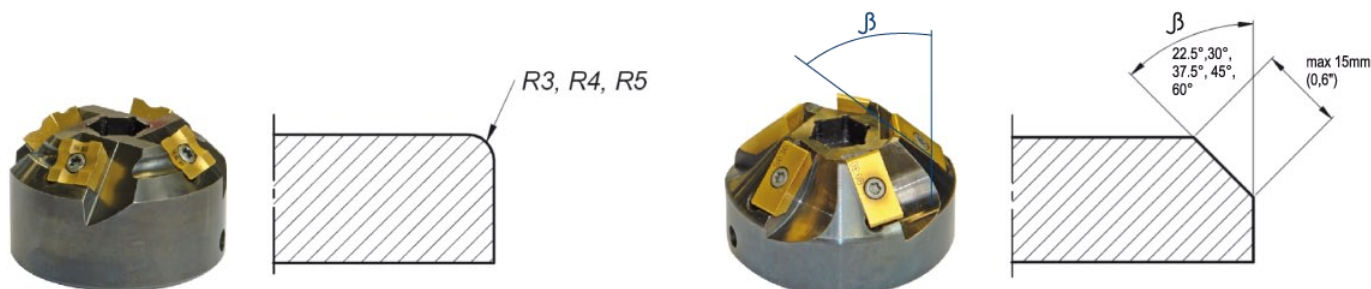


It is highly efficient machine for edge weld preparation and rounding off steel construction before painting or coating.

Compact design and small overall dimensions make BM-15 an excellent tool in any places with limited access.

<b>BM-15 Technical specification</b>	
Power supply	230V 50/60 Hz or 115V 60 Hz
Motor	2000W
Motor speeds	2000-5000 rpm
Minimal diameter of countersinking	ca 40 mm
Bevelling with radius	R3, R4, R5
Maximal bevel width for 45°	15 mm
Feed	0,5 – 10 m/min*
Bevelling angles ( $\beta$ )	22.5, 30, 37.5, 45, 60 degrees (other angles upon request)
Plate thickness	minimal 3 mm
Dimensions (L x W x H)	461 x 140 x 256 mm
Weight	ca 8,5 kg
Product code (220-240 VAC)	UKS-0427-10-20-00-0
Product code (110-120 VAC)	UKS-0427-10-10-00-0

\* Depending on a bevel width and sort of machining material



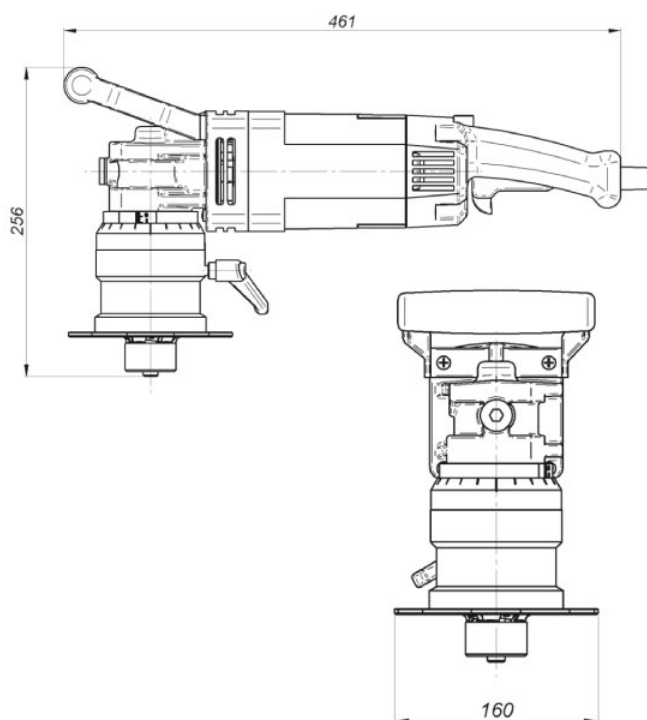
#### Basic set:

- BM-15 beveling machine without accessories (see list below)
- Metal box
- 32mm flat wrench
- Allen wrench hex s=5
- Allen wrench hex s=14
- T15 Torx screwdriver
- Operator's Manual (English)

#### Accessories to be chosen by customer:

GLW-000011 Radius milling head  
 PLY-000159- Radius insert R3  
 PLY-000160- Radius insert R4  
 PLY-000161- Radius insert R5

GLW-000010 - Chamfer milling head 22.5°  
 GLW-000005 - Chamfer milling head 30°  
 GLW-000009 - Chamfer milling head 37.5°  
 GLW-000006 - Chamfer milling head 45°  
 GLW-000007 - Chamfer milling head 60°  
 PLY-000162 - Chamfer insert for steel  
 PLY-000195 - Chamfer insert for aluminum



All information is subject to change without further notice. 2010/07

