

## **BM-20 Bevelling Machine**

The BM-20 is easy to use, portable heavy duty machine designed for bevelling steel plates and pipes prior to welding.

This bevelling machine is fitted with two milling heads each holding six inserts allowing smooth operation and exceptional efficiency.

One set of inserts can last for up to 2000 meters of bevelled steel edge and allows to work with an output around 1.5 meters/minute (depending on the amount of the metal being removed).

The BM-20 incorporates many safety features. It has a state of the art electronic control module protecting the operator, the machine and the tooling. BM-20 is equipped with guide rolls, which make it easy and light to operate.



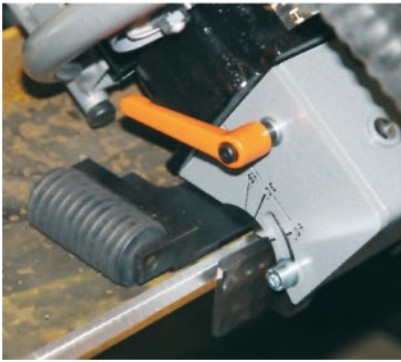


Plate bevelling

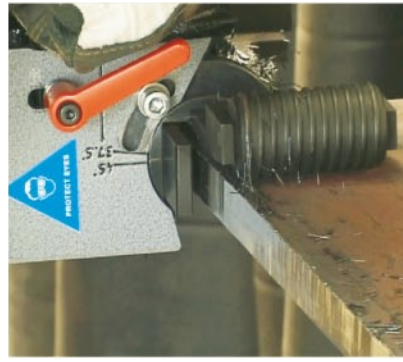


Plate facing off (option)



Pipe bevelling (option)

**BM-20 Technical specification**

Power Supply: 230V 50/60Hz or 115 V/60Hz

Motor type: Induction with increased start-up current

Power: 1.1 kW

Motor speed: 2820 rpm

Tooling: integrated milling head consists of 2 separate heads with 6 square cermet inserts per head

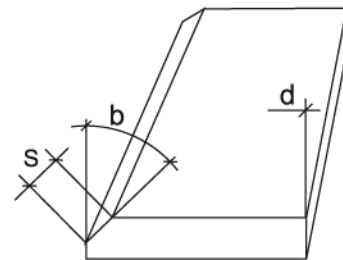
Product code 230V 50/60Hz: FRE-0075-10-20-01-0

Product code 115 V /60Hz: FRE-0075-10-10-00-0

PLY-000004: Cermet Cutting Insert - 1 piece; (sold 12pcs/box)



A mm (")	B mm (")	R mm (")	S mm (")	Dmin mm (")	a (°)	b (°)	g (°)	d = 0°	weight kg (lbs)
420 16 9/16	330 13	305 12	0-20 0-3/4	150 6	45-75	15-60	75-30	yes	20.0 43



**Optional equipment:**



Photo 1

ZSP-0075-32-00-00-1: Facing off attachment - [photo 1]

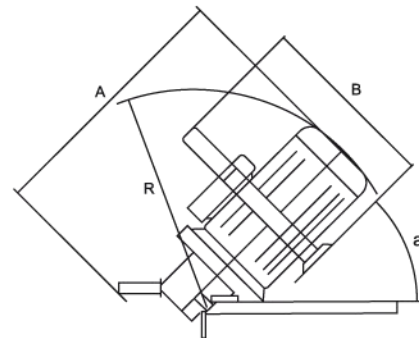


Photo 2

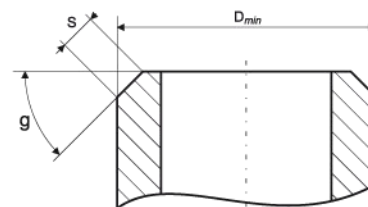


Photo 3

ZSP-0075-31-00-00-0: Pipe beveling attachment for Ø 150-300mm (6-12")\* - [photo 2]

ZSP-0075-31-00-00-1: Pipe beveling attachment for Ø 258-600mm (10-24") \* [photo 3]

\* Recommended range of diameters



Pipe bevelling option

All information is subject to change without further notice. 2010/07

More information about accessories and spare parts is available at [www.promotech.eu](http://www.promotech.eu)

PROMOTECH Sp. z o.o.  
ul. Elewatorska 23/1, 15-620 BIAŁYSTOK, POLAND  
tel. (+48 85) 678 34 05, fax (+48 85) 662-78-77  
marketing@promotech.eu www.promotech.eu

Your local dealer:

